



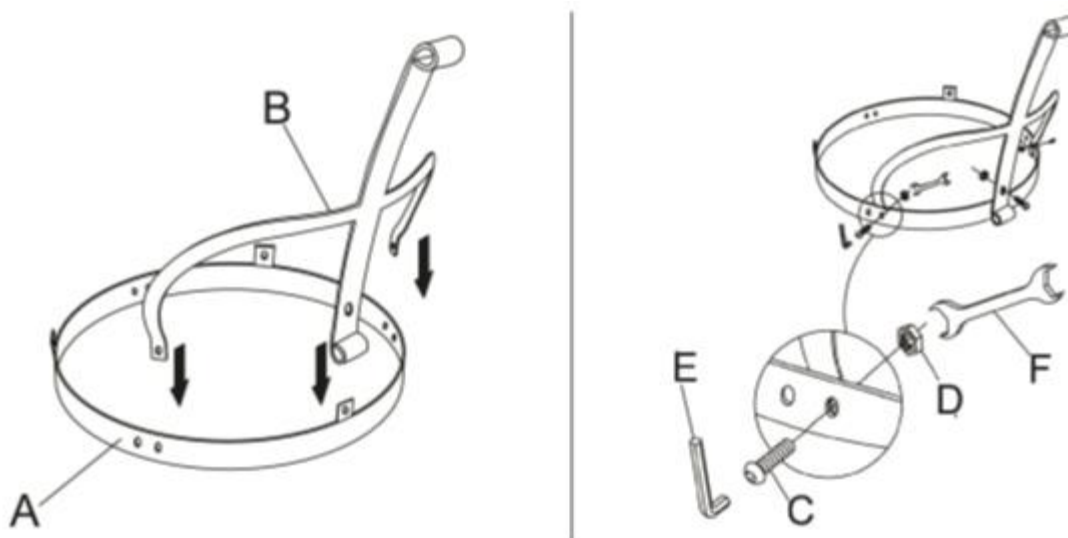
GOTHIC STAND

CARE & USE

Contents in the box:

- Supporting ring
- Legs x3
- Nuts and bolts x9
- Alan key
- Spanner

How to assemble the Gothic Stand



Once all 3 legs are attached, flip the Gothic Stand over and place your Firebowl on top.

Tip: Do not fully tighten the bolts until all of them have been fitted.